

BISF Type A1

Manufacturers: British Iron & Steel Federation
British Steel Homes Ltd

Alternative names: BISF

Designers: Frederick Gibberd
Donovan Lee

Period built: 1944-50

Number built: 35,000



IDENTIFICATION CHARACTERISTICS

2-storey semi-detached and terraced houses.
Shallow pitch gable roof covered with profiled asbestos cement sheets.
External walls rendered to first floor level and vertically profiled steel sheets above.
Large ground floor windows.
PS trims to windows and doors.
Some houses have single storey lean-to structure at gable wall.

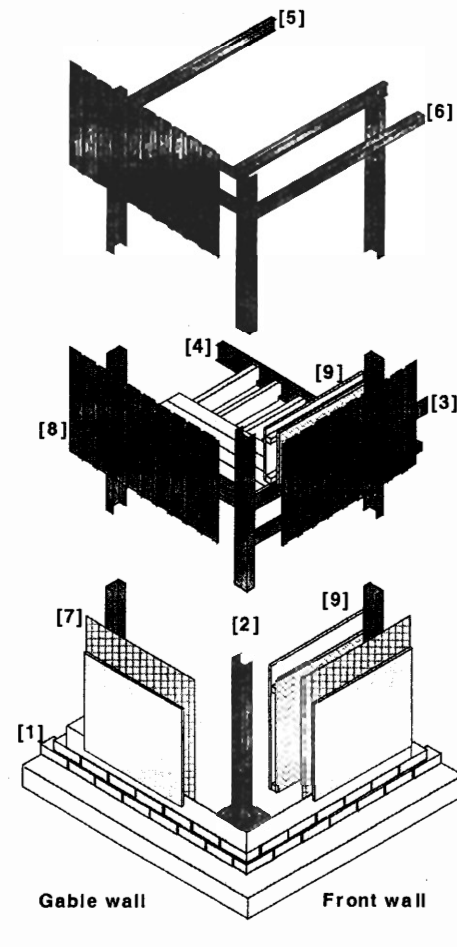
REFERENCES

BRE Report BR 77
PWBS No. 23
NTHSc

NOTES FOR SURVEYORS

Minor to severe corrosion of RSA and RSC stanchions, particularly at bases and corners.
Minor to severe corrosion of sheeting rails.
Cracking of ground floor slabs, particularly at corners.
Corrosion of metal lathing and failure of render.
Corrosion of profiled steel sheets and steel flashings.
Corrosion of cast-iron flue pipes and metal cowlings.
Deterioration of profiled asbestos cement sheet roof cover.

Prototypes developed by BISF are Type A, Type B and Type C.



CONSTRUCTION

Substructure: Concrete strip footings. Brick underbuilding [1]. Concrete slab thickened around perimeter. DPC.

Frame: 17 RSC stanchions [2], 3 double RSA single storey stanchions each forming hollow box, 1 RSJ floor support beam, 2 RSA floor joist supports [3], 7 RSJ floor joists [4], 7 RSJ ceiling joists [5], RSA cladding rails [6], bracings, 2 tubular steel roof trusses, 1 mock truss and RSA purlins, see frame layout [A].

Protective coating: Red lead paint and black bituminous paint. Steel sheets galvanised and coated with red lead paint.

External walls: Rendered expanded metal lathing to first floor level [7] and vertically profiled steel sheets [8] above, cavity, glass fibre insulation blanket, timber framing lined with plasterboard [9].

Separating wall: Breeze concrete block cavity wall faced with timber framing lined with plasterboard. Single leaf block in roof space.

Partitions: Timber stud lined with plasterboard.

Ground floor: Concrete.

First floor: T&G boarding on timber joists.

Ceilings: Plasterboard.

Roof: Profiled asbestos cement sheets.

VARIANTS

Trenchfill concrete foundation incorporating ground floor slab.

Fibreboard, harboard and Stramit board linings to walls, partitions and ceilings.

RSA roof trusses.

Single storey lean to structure at gable wall.

M017